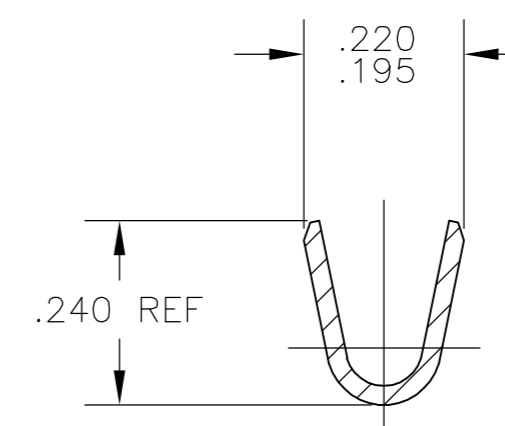
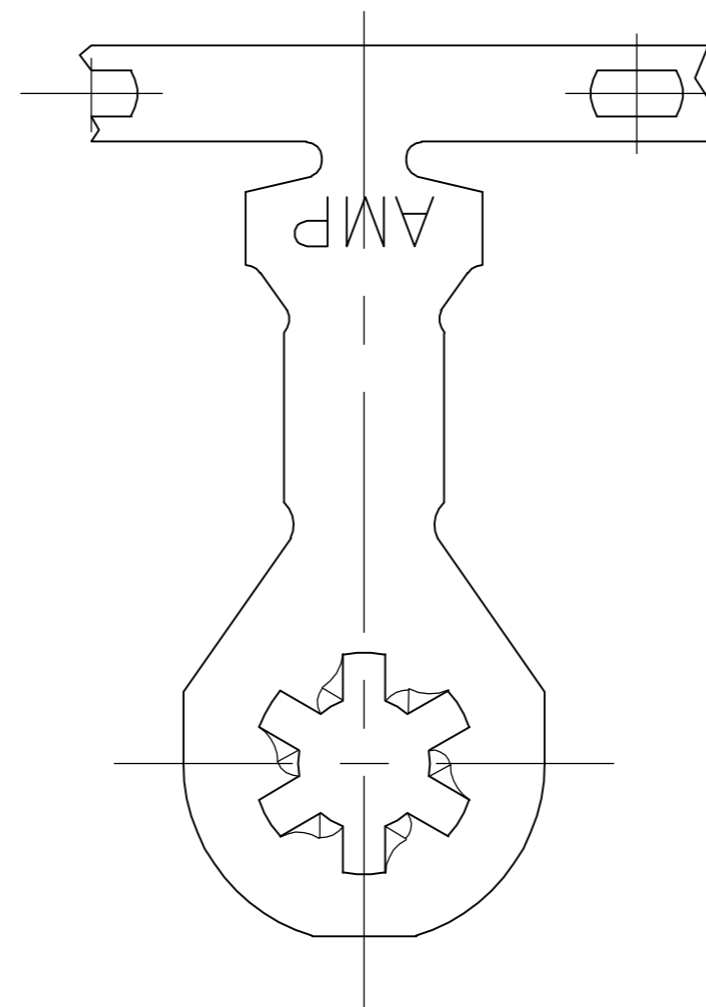
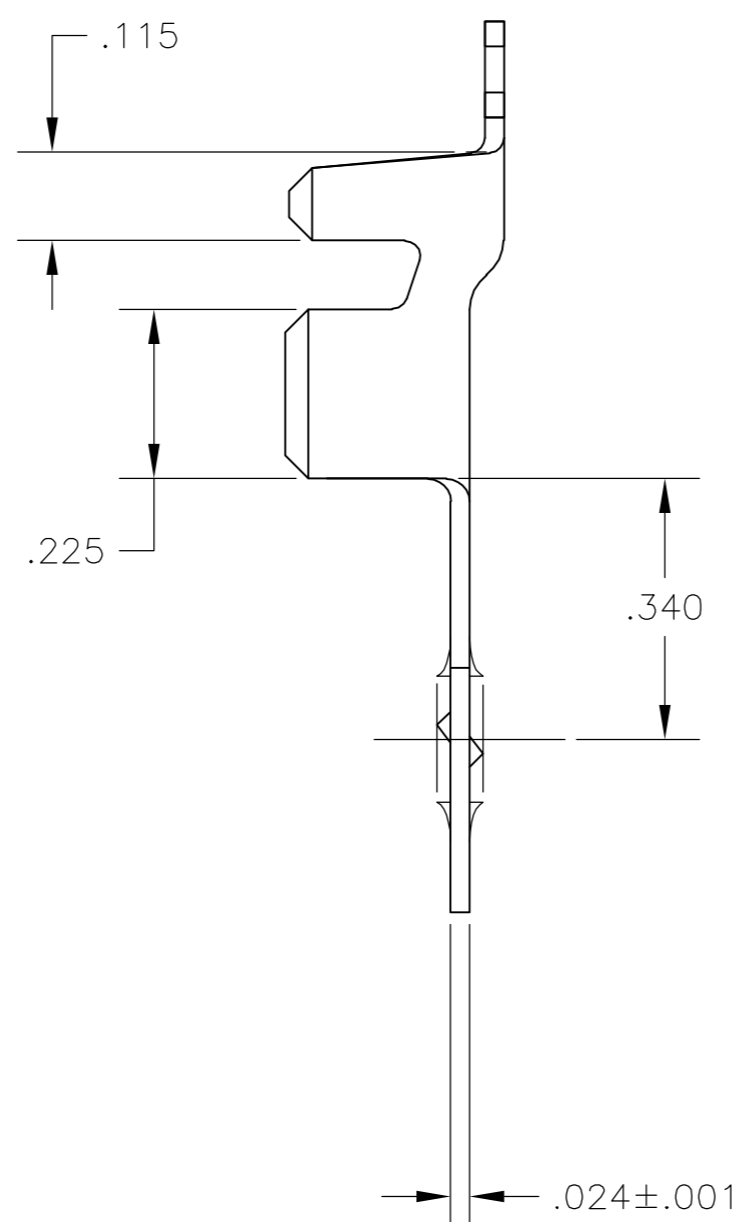
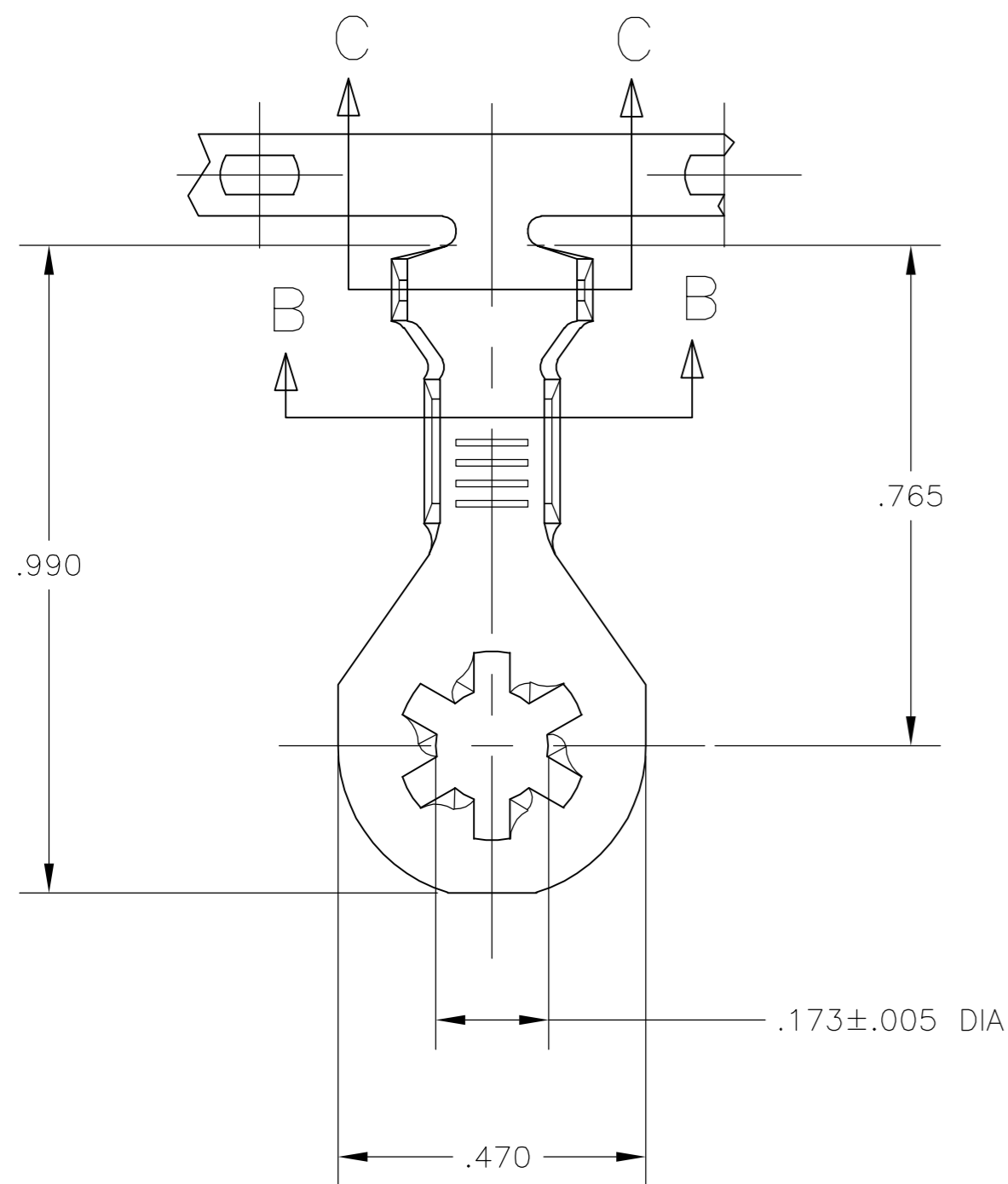


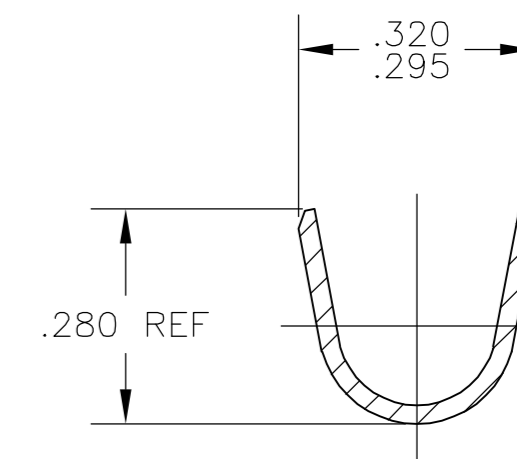
THIS DRAWING IS UNPUBLISHED. RELEASED FOR PUBLICATION  
 © COPYRIGHT BY TYCO ELECTRONICS CORPORATION. ALL RIGHTS RESERVED.

LOC		DIST		REVISIONS			
P	LTR	DESCRIPTION		DATE	DWN	APVD	
	C	REVISED PER OG3A-0923-04		30NOV04	MF	DD	

- CONTINUOUS STRIP ON REELS.
- WIRE RANGE: #12-#10 AWG, INSULATION RANGE: .125-.220 DIA.



SECTION B-B



SECTION C-C

-	-	-
-	-	-
.000080 MIN TIN PLATE	TEMP 2 COLD ROLLED STEEL	62612-2
-	ANNEALED STAINLESS STEEL	62612-1
FINISH	MATERIAL	PART NUMBER
THIS DRAWING IS A CONTROLLED DOCUMENT.		DWN 17NOV2004 MICHAEL S. FEHER
DIMENSIONS: INCHES		CHK 30NOV2004 DONALD F. DECKER
TOLERANCES UNLESS OTHERWISE SPECIFIED:		APVD 30NOV2004 DONALD F. DECKER
0 PLC ± -		NAME
1 PLC ± -		PRODUCT SPEC
2 PLC ± -		APPLICATION SPEC
3 PLC ± .010		WEIGHT
4 PLC ± -		SIZE
ANGLES ± -		CAGE CODE
FINISH		DRAWING NO
SEE TABLE	SEE TABLE	RESTRICTED TO
CUSTOMER DRAWING		SCALE 5:1
SHEET 1 OF 1		REV C